



World Shooting Para Sport

Technical Rules and Regulations

January 2017





Official World Shooting Para Sport Results and Target Systems Provider

SIUS

www.WorldShootingParaSport.org

 [@ShootingPara](https://twitter.com/ShootingPara)

 [ParalympicSport.TV](https://www.youtube.com/ParalympicSport.TV)

 [shootingparasport](https://www.facebook.com/shootingparasport)

Table of contents

Preamble.....	5
1 General regulations.....	7
1.1 Events.....	7
1.2 Competition Levels and Programmes.....	8
1.3 *Competition Cycle.....	9
1.4 *Hosting competitions.....	9
1.5 *Competition Entries	11
1.6 International Classification	15
1.7 Pre-Competition Meetings.....	16
1.8 Start Number	16
1.9 Technical Protests and Appeals.....	17
1.10 Disqualification.....	17
1.11 Coaches' instruction	18
1.12 Results.....	18
1.13 *Rankings.....	18
1.14 Records	22
2 Apparel and Equipment.....	24
2.1 Compliance with ISSF Dress Code	24
2.2 World Shooting Para Sport Specific Dress Code Provisions (Jackets, Trousers & Footwear).....	24
2.3 Equipment	26
2.4 Equipment Control	27
2.5 Strapping	28
2.6 Trigger extensions and adaptations.....	28
2.7 Shooting Chairs	29
2.8 Shooting Tables.....	34
2.9 SH2 Support stands	36

3	Rifle rules.....	39
3.1	Events and times.....	39
3.2	Shooting positions.....	41
3.3	Loaders (SH2 only).....	44
4	Pistol rules.....	45
4.1	Events and times.....	45
4.2	Shooting position.....	46
4.3	Loading device (safety).....	46
5	Falling Target events.....	47
5.1	Competition Format.....	47
5.2	Commands.....	48
6	Team events.....	50
6.1	Events and format.....	50
6.2	Team size.....	50
6.3	Maximum number of teams per NPC.....	50
6.4	Event viability.....	50
7	Medical considerations.....	51
7.1	Return to Field of Play Decisions.....	51
7.2	Epilepsy.....	51
7.3	Pacemakers.....	52

Appendix 1	Requirements and designation of competitions
Appendix 2	Overview of Level 1 (International Approved Competition) requirements
Appendix 3	Overview of Level 2 (World Cup and Grand Prix) requirements
Appendix 4	Bib templates
Appendix 5	Equipment Control Sheet
Appendix 6	Trigger extensions and adaptations
Appendix 7	SH2 Support Stand
Appendix 8	P5 10m Air Pistol Standard
Appendix 9	Falling Target competitions
Appendix 10	Athlete Epilepsy Declaration

Preamble

These World Shooting Para Sport Rules and Regulations are mandatory for all World Shooting Para Sport Recognised Competitions. The overall governance and management of all World Para Sports (including World Shooting Para Sport) is subject to the detailed provisions of the IPC Handbook.

Governance

The IPC acts as the International Federation for the Sport of Shooting Para Sport. It is responsible for, amongst other things, organising international competitions and drawing up rules and regulations relevant to the Sport of Shooting Para Sport, and ensuring that they are followed. IPC carries out its responsibilities as International Federation under the name “World Shooting Para Sport”, and the term “World Shooting Para Sport” should therefore be read in these Rules and Regulations as being equivalent to IPC.

Effect of ISSF Sport Technical Rules and Regulations

The latest* ISSF Rules shall apply to the Sport of Shooting Para Sport except where they are modified by these World Shooting Para Sport Rules and Regulations. These World Shooting Para Sport Rules and Regulations must to be read in conjunction with the latest ISSF Rules. In the event of any conflict between these Rules and Regulations and the ISSF Rules, these Rules and Regulations shall prevail. The latest ISSF Rules are reinforced and not inserted or restated in these Rules and Regulations.

**latest version means latest printing edition*

World Shooting Para Sport Classification Rules and Regulations

The World Shooting Para Sport Classification Rules and Regulations are an integral part of these Rules and Regulations, and are available at:

www.ipc-shooting.org/rules-and-regulations/classification

Changes to these Rules and Regulations

Please note that these Rules and Regulations may be changed at any time as a result, for example, of changes in the ISSF Rules, Classification related matters or where World Shooting Para Sport otherwise considers it necessary to do so.

Printing of Rules and Regulations

All rules of World Shooting Para Sport are the copyright property of the IPC and have been published for the benefit of NPCs, athletes, officials and others who are engaged in an official capacity with World Shooting Para Sport. These Rules and Regulations may be reprinted or translated by any organisation with a legitimate need to do so, subject to IPC's continuing ability to assert its copyright in the rules and regulations, including the right to insist on an assignment to the IPC of the copyright in any translated version of these Rules and Regulations. The English version of these Rules and Regulations shall be accepted as the authoritative version for the purpose of interpretation.

Glossary of Acronyms

CRO	Chief Range Officer
IPC	International Paralympic Committee
ISSF	International Shooting Sport Federation
LOC	Local Organizing Committee
MQS	Minimum Qualifying Score
NPC	National Paralympic Committee
RTS	Results, Timing, Scoring
TD	Technical Delegate

*Denotes new or updated rule in 2017.

1 General regulations

1.1 Events

1.1.1 The Events recognized by World Shooting Para Sport are:

Event	Discipline	Gender	Class
R1	10m Air rifle standing	Men	SH1
R2	10m Air rifle standing	Women	SH1
R3	10m Air rifle prone	Mixed	SH1
R4	10m Air rifle standing	Mixed	SH2
R5	10m Air rifle prone	Mixed	SH2
R6	50m Rifle prone	Mixed	SH1
R7	50m Rifle 3 positions	Men	SH1
R8	50m Rifle 3 positions	Women	SH1
R9	50m Rifle prone	Mixed	SH2
FTR1	Falling Targets Rifle	Mixed	SH1
FTR2	Falling Targets Rifle	Mixed	SH2
P1	10m Air pistol	Men	SH1
P2	10m Air pistol	Women	SH1
P3	25m Pistol	Mixed	SH1
P4	50m Pistol	Mixed	SH1
P5	10m Air Pistol Standard	Mixed	SH1
FTP	Falling Targets Pistol	Mixed	SH1

1.2 Competition Levels and Programmes

1.2.1 Competition Levels

1.2.1.1 World Shooting Para Sport Recognised Competition levels are as follows:

Level 3	World Shooting Para Sport <i>Paralympic Games, World Shooting Para Sport World and Regional Championships</i>
Level 2	Sanctioned Competitions <i>World Cups, *Grand Prix & Regional Games</i>
Level 1	Approved Competitions <i>International competitions approved World Shooting Para Sport</i>

1.2.1.2 For full details on the requirements for each level of competition, see the Designation of Competitions (available as **Appendix 1** to these Rules and Regulations).

1.2.2 Programme of Events

1.2.2.1 *The competition programmes recognised by World Shooting Para Sport at the varying competition levels are:

Programme	Events included	Accepted at competition level(s)			
		Level 1	Level 2		Level 3
			World Cup	Grand Prix	
Programme 1	All events <ul style="list-style-type: none"> ▪ R1-R9 ▪ P1-P5 	✓	✓	x	✓
Programme 2	10m only <ul style="list-style-type: none"> ▪ R1-R5 ▪ P1-P2 & P5 	✓	x	✓	x
Programme 3	25m & 50m only <ul style="list-style-type: none"> ▪ R6–R9 ▪ P3-P4 	✓	x	✓	x
Falling Target events <i>(added additionally to the programme)</i>	<ul style="list-style-type: none"> ▪ FTR1 ▪ FTR2 ▪ FTP 	✓	✓	✓	x

1.2.2.2 The programme of events for the Paralympic Games and Regional Games will be confirmed in the Qualification Guide for such competitions.

1.3 *Competition Cycle

1.3.1 The cycle for competitions will be adopted as follows:

Competition		Cycle
Level 1	Approved Competitions	Annually, as applicable
Level 2	World Cups	Annually <ul style="list-style-type: none"> ▪ Maximum 4 competitions per year; ▪ Priority of sanctioning will be given to World Cup competitions.
	Grand Prix	
	Regional Games	Every 4 years
Level 3	Paralympic Games	Every 4 years
	World Championships	Every 4 years
	Regional Championships	Every 2 years

1.4 *Hosting competitions

1.4.1 For an overview of hosting requirements for Level 1 and 2 competitions, refer to Appendices 2 and 3.

1.4.2 An overview of the process and minimum requirements for World Shooting Para Sport World and Regional Championships, plus the full Bid Package documentation, can be found on the World Shooting Para Sport website.

1.4.3 *Local Organising Committee (LOC)

1.4.3.1 A Local Organising Committee (LOC) is the organisation responsible to manage a competition.

1.4.3.2 The LOC must be endorsed by the NPC and shall have its structure subject to approval by World Shooting Para Sport.

1.4.3.3 The LOC, in conjunction with World Shooting Para Sport, shall be responsible for the entire management of the competition, including the arrangement of the programme of events, arrangement for the Classification of athletes, all technical equipment and installation prior to and during competition.

1.4.4 *Applications

1.4.4.1 Competition Hosting Expression of Interest Application Forms (Level 1 & 2 competitions) and Bid Package (Level 3 competitions) can be found on the World Shooting Para Sport website.

1.4.4.2 To apply to host a Recognised Competition, the LOC must submit the relevant application form by the applicable deadline:

Recognised Competition		Deadline for application submission (months prior to proposed competition date)	
		Expression of Interest	Application/Bid
Level 1	Approved Competition	8 months	6 months
Level 2	World Cup & Grand Prix	18 months	12 months
Level 3	World Championship	30 months	24 months
	Regional Championship	24 months	20 months

1.4.4.3 All applications will be reviewed at the discretion of World Shooting Para Sport.

- (a) World Shooting Para Sport will confirm to the applicant in writing the result of the application.
- (b) If an application is successful, the LOC must agree to the terms and conditions of a Hosting Agreement,

1.4.5 **Competition management**

- 1.4.5.1 World Shooting Para Sport shall have the right to manage World Championships and Level 2 competitions.
- 1.4.5.2 World Shooting Para Sport shall govern and enforce these Rules and Regulations for all Recognised Competitions.
- 1.4.5.3 World Shooting Para Sport shall have jurisdiction over all matters (not including those matters assigned to judges or other officials under the ISSF Rules and these Rules and Regulations) and shall have the power to postpone events and give directions consistent with rules adopted for conducting any event.

1.5 ***Competition Entries**

- 1.5.1 All athletes must be entered by their respective NPCs or authorised organisations by the NPC and accepted by World Shooting Para Sport to participate in any Recognised Competition.
- 1.5.2 All entries from NPCs must be received by the deadlines as set out in the Competition Information Package. Close of entries is midnight CET on the date given.
 - 1.5.2.1 **First Entry by Number** (Level 2 and 3 competitions) must include:
 - (a) Total number of athletes and team officials participating; and
 - (b) Number of individual and team event entries the NPC will submit.
 - 1.5.2.2 **Final Entry by Name** must include:
 - (a) Full details of all athletes entered to compete in the competition;
 - (b) Confirmation of all individual and team event entries, with names of all athletes;
 - (c) Confirmation (name and details) of all team officials participating at the competition; and
 - (d) All competition booking details (as applicable) including accommodation, transport and firearms information.
- 1.5.3 The entry criteria shall be defined in the Competition Information Package and/or Qualification Documentation for each competition.

1.5.4 An event will only be considered viable if the minimum viability criteria (as specified in **Appendix 1**) is met by the time of the technical meeting and reflected as such on the start list.

1.5.4.1 World Shooting Para Sport reserves the right to cancel in advance any events which are not viable by the first entry by number deadline and will inform the LOC and NPCs in a timely manner.

1.5.5 ***Maximum number of entries**

1.5.5.1 At each competition, the maximum number of starts per event will be calculated; this calculation is based upon range capacity and the competition schedule.

1.5.5.2 The entries accepted at Recognised Competitions can be defined as:

- (a) 'Full' participants are athletes eligible to progress to the final, and to obtain records and ranking; and
- (b) 'MQS-only' participants are athletes eligible to obtain qualification scores to be recognised for MQS, but cannot progress to the event final or obtain direct quota allocation, records or rankings.

1.5.5.3 The limit of maximum number of entries per NPC per competition type can be summarised as follows:

Competition		Maximum number of entries	
		'Full' participants	'MQS only' participants
Level 1	Approved competition	Unlimited	Not Applicable
Level 2	World Cup & Grand Prix	4 per NPC per event	Unlimited (pending capacity)
	Regional Games	Defined in Qualification Criteria	Not Applicable
Level 3	World Championship	4 per NPC per event	Defined in Qualification Criteria
	Regional Championship	4 per NPC per event	Defined in Qualification Criteria
	Paralympic Games	Defined in Qualification Criteria	Not Applicable

- 1.5.5.4 When entering more than four athletes to an event via the Online Entry System, the NPC must contact World Shooting Para Sport after submitting the online entries, confirming which athletes are to be entered as “Full” entry and which as “MQS-only”.
- 1.5.5.5 If the maximum number of starts is reached the number of ‘MQS-only’ entries may be limited; in such cases, affected NPCs will be notified by World Shooting Para Sport immediately, and a ‘waiting list’ may be established. Consequently, in case of subsequent entry cancellations, entries from the waiting list will be accepted on a first-come-first-served basis.
- 1.5.6 **Entry Fees**
- 1.5.6.1 **Basic Entry Fee**
- (a) A Basic Entry Fee shall be charged by the LOC to all participating athletes and team officials.
- (b) The Basic Entry Fee is calculated by the LOC according to the approximate price per person for services during the relevant competition.
- 1.5.6.2 **Event Entry Fee (World Cup and Grand Prix competitions only)**
- (a) In addition to the Basic Entry Fee, World Shooting Para Sport shall charge a fixed-price Event Entry Fee to Athletes and Teams participating in Level 2 competitions.
- (b) *The Event Entry Fee shall be charged as follows:
- Individual events: EUR 10 per athlete entry per individual event;
 - Team events: EUR 20 per team entry per team event.
- 1.5.6.3 The Basic Entry Fee and Event Entry Fee will be collected by the LOC by the deadline given in the Competition Information Package.
- 1.5.6.4 The LOC shall transfer the Event Entry Fees to IPC no later than 30 days after the competition.

1.5.7 Late Entries

- 1.5.7.1 Late entry requests (submitted after the final entry by name deadline) will only be considered if they are received by World Shooting Para Sport no later than three days before the official arrival day of the relevant competition (in accordance with the ISSF Rules).
- 1.5.7.2 Late entry requests may be accepted at the discretion of the LOC and World Shooting Para Sport if it is deemed that such late entries can be accommodated (i.e. within the competition schedule, sufficient time for processing firearms permits); a late entry fee of **EUR 50** will be charged and retained by the LOC per additional athlete entered.

1.5.8 *Entry changes

- 1.5.8.1 Replacement entries may be accepted in the same event, due only to injury or medical reason, at the sole discretion of World Shooting Para Sport, in consultation with the LOC. NPCs requesting replacement entries must submit supporting documents to World Shooting Para Sport for approval.
- 1.5.8.2 Substitution of an athlete (in a team event only) by another athlete, who is already registered in that individual event, can be made not later than 30 minutes before the scheduled start time for that event (in accordance with the ISSF Rules) provided the substitution does not contravene any provision of the ISSF Rules (for example: that if more than one relay is used in team competitions, then team members must be distributed equitably between the relays; and that start lists with firing point and relay allocations must be published and distributed not later than 16:00hrs on the day before pre-event training for any event).

1.5.9 Cancellations

- 1.5.9.1 The cancellation dates and policies for each competition will be clearly published in each Competition Information Package and must be adhered to.
- 1.5.9.2 Any teams cancelling any bookings or participants after the final cancellation deadline will be liable for all costs incurred.

1.5.10 Athlete Eligibility

1.5.10.1 To be eligible to compete at Recognised Competitions, all athletes must:

- (a) Adhere to the IPC Nationality Policy (see IPC Handbook);
- (b) Be licensed by the IPC by the time of the final entry deadline;
- (c) Have a valid World Shooting Para Sport ID card and license card (to be carried at all times during competitions); and
- (d) Meet the relevant competition eligibility criteria, as defined in the Competition Information Package and/or Qualification Guide.

1.5.11 Minimum Qualifying Scores

1.5.11.1 All athletes will be required to reach set MQS to be eligible to compete in Level 3 Competitions and Regional Games. The MQS will be defined by World Shooting Para Sport for these events and published in the relevant Qualification Documentation for each competition.

1.5.11.2 There are no required MQS for competing in World Shooting Para Sport World Cup, Grand Prix or Approved Competitions.

1.6 International Classification

1.6.1 International Classification will be conducted prior to the start of a competition in accordance with the World Shooting Para Sport Classification Rules and Regulations.

1.6.2 Prior to the competition a list and timetable for those athletes required to be present for Classification will be created. Athletes and NPCs will be informed accordingly of their appointment time by World Shooting Para Sport in the pre competition meetings.

1.7 Pre-Competition Meetings

1.7.1 Technical Meeting

1.7.1.1 Before the start of each competition there must be a technical meeting with representatives of the participating countries and the LOC, supervised by the Technical Delegate or Chief Judge.

1.7.1.2 There must be no less than 2 hours between the completion of the Classification process and the start of the technical meeting.

1.7.2 *Team Leaders' Meeting

1.7.2.1 Directly after the technical meeting a team leaders' meeting must be held.

1.7.2.2 The team leaders' meeting is an informal meeting between World Shooting Para Sport and the team leaders/coaches to discuss any general technical matters (related not specifically to the competition), and to address any questions.

1.8 Start Number

1.8.1 A start number must be assigned to each athlete and appear on all competition lists and timetables.

1.8.2 The athlete start numbers are printed on the bibs, which are produced by World Shooting Para Sport and printed and distributed by the LOC.

1.8.3 SH2 athletes who are permitted to use a (Loader(s)) (denoted by '(L)' on the athlete bib) will also be issued a loader bib.

1.8.4 The bib size and design must be as shown in **Appendix 4**.

1.8.5 The bib must be visible at all times when the athlete (and/or Loaders) is on the field of play.

1.8.5.1 *Athletes with **backrest score A**: the bib must be worn on the back of the athlete (unless the shooting chair used has a back, in which case bib must be displayed on the back of the chair);

1.8.5.2 *Athletes with **backrest score B or C**: the bib must be displayed on the back of the shooting chair (as the bib cannot obscure the view of the free sitting height marking tape).

1.8.5.3 *Loaders: must wear the bib on their back. The bib must be properly fixed/pinned (so as not to move around) at the top and bottom to the shirt.

- 1.8.6 In the case that the bib is issued to an athlete (and/or Loaders) but not displayed, the athlete may not commence/continue to shoot in the event.

1.9 Technical Protests and Appeals

- 1.9.1 Any violation of the technical rules in these Rules and Regulations will be handled in accordance with these Rules and Regulations and the ISSF Rules.
- 1.9.2 All protests and appeals, regarding technical matters must be handled in accordance with the ISSF Rules using World Shooting Para Sport official documentation and forms (available on World Shooting Para Sport website).
- 1.9.3 *All protests and appeals, regarding Classification matters must be handled in accordance with the World Shooting Para Sport Classification Rules and Regulations.
- 1.9.4 If a protest or appeal is denied the protest fee will be retained by World Shooting Para Sport.

1.10 Disqualification

- 1.10.1 An athlete, team official, team member or any other individual may be penalised by World Shooting Para Sport, s, if, in the reasonable opinion of World Shooting Para Sport, they:
- 1.10.1.1 Contravene the spirit of fair-play or offend members of any committee, officials or judges in the course of his/her official duties; or
- 1.10.1.2 Behave in a manner which brings into disrepute World Shooting Para Sport, the IPC, any International Federation and/or the organisers of a competition.
- 1.10.2 Situations that are not covered by these Rules and Regulations or the ISSF Rules will be addressed on a “case by case” basis by the World Shooting Para Sport Technical Delegate. The outcome will be reported to World Shooting Para Sport and further actions may be taken at World Shooting Para Sport’s discretion.
- 1.10.2.1 In situations when there is no World Shooting Para Sport Technical Delegate available during the competition, the Chief Judge in partnership with the Chief Classifier (if in attendance) will fulfil the task of the Technical Delegate in consultation with the IPC and, where possible, the LOC.

1.11 Coaches' instruction

- 1.11.1 During competition, coaches are permitted to approach the starting line at the request of the athlete, if allowed by the range official.
- 1.11.1.1 *Only during training and preparation time are coaches permitted to approach the line at their own request (if permitted by the range official).

1.12 Results

- 1.12.1 Scoring procedures for all World Shooting Para Sport events must be followed as described in the ISSF Rules.
- 1.12.2 If the World Shooting Para Sport Official Results and Target System Provider is not supporting the competition:
 - 1.12.2.1 it is the responsibility of the LOC to provide the competition results to World Shooting Para Sport by no later than 7 days of the end of the competition; and
 - 1.12.2.2 The official World Shooting Para Sport electronic result template (Excel format) must be used.
 - 1.12.2.3 **Result Book**
 - 1.12.2.4 The result book must be coordinated by the Technical Delegate, Results, Timing, and Scoring (RTS) Jury, World Shooting Para Sport and the LOC.
 - 1.12.2.5 The World Shooting Para Sport official template must be used.
 - 1.12.2.6 The result book must be published by World Shooting Para Sport within 2 days of the end of competition.

1.13 *Rankings

- 1.13.1 World Shooting Para Sport shall maintain world and regional rankings to determine the best performing athletes per event per season based on a point system by considering both the rank and the result achieved by the athletes.
- 1.13.1.2 Rankings will be calculated on a rolling basis. All World Shooting Para Sport competitions will count in the rankings for 1 year. Paralympic Games and World Championships will remain in the rankings for 2 years. The rolling ranking will include all competitions from 1 year ago to the day (Example: on 15 April 2017, scores will include competitions from 15 April 2016-15 April 2017).

1.13.2 Only athletes who are licensed and have a Sport Class Status 'Review' or 'Confirmed' can have their results recognised for ranking purposes.

1.13.3 Performance Points

1.13.3.1 After each Level 2 and 3 competition, athletes will obtain performance points based on their performance.

1.13.3.2 Athletes will be ranked in descending order according to their performance points.

1.13.3.3 Performance points will only be allocated to athletes who rank 1 to 8 in the competition.

1.13.3.4 Performance points will be allocated following the ratification of the competition results, and are calculated based on the following values:

(a) **Value A** (rank points) - based on the rank achieved in the qualification and final rounds;

(b) **Value B** (competition weighting) - based on the level and significance of the competition;

(c) **Value C** (qualification result points) - based on the qualification score achieved by the athlete, divided by the world record (as of 01 January of the competition year) in that event.

1.13.3.5 The total performance points will be calculated and published to 2 decimal places (mathematically rounded).

1.13.4 Duration of validity

1.13.4.1 The time for which the allocated performance points remain valid will vary according to the level and significance of the competition:

Competition	Code	Duration of validity (seasons)
Paralympic Games	PG	2
World Championships	WCH	2
Regional Championships (<i>only valid for Regional Rankings</i>)	RCH	1
Regional Games (<i>only valid for Regional Rankings</i>)	RG	1
World Cup	WC	1
Grand Prix	GP	1

1.13.4.1 Points obtained at the Paralympic Games and World Championships will remain valid in the ranking system for 2 years from the date of competition.

1.13.4.2 Performance points obtained at all other Level 2 and 3 competitions will be valid in the ranking system for one year.

1.13.5 Value A (Rank Points)

1.13.5.1 The Value 'A' allocated will be determined by the rank an athlete achieves, both in the qualification and final rounds.

1.13.5.2 A point value is allocated based on the rank in the Qualification Rounds (value A1) and Final Round (value A2):

Rank	Qualification Round Points (A1)	Final Round Points (A2)
1st rank	11	50
2nd rank	10	40
3rd rank	9	30
4th rank	8	20
5th rank	7	18
6th rank	6	16
7th rank	5	14
8th rank	4	12

1.13.5.3 Value A is calculated as a sum of the points for the qualification and final ranking (values A1 + A2).

$$\begin{array}{l} \text{Qualification Rank Points} \\ \text{(A1)} \end{array} + \begin{array}{l} \text{Final Rank Points} \\ \text{(A2)} \end{array} = \text{Value A}$$

1.13.5.4 For non-Paralympic events where no finals are conducted, in the ranking calculations a value of zero will be assigned for the Final Rank Points (value A2).

1.13.5.5 In the event that an athlete ranks 1-8 in qualification but is DNS (Did Not Start) in the final, in the ranking calculations a value of zero will be assigned for the Final Rank Points (value A2).

1.13.6 Value B (competition weighting)

1.13.6.1 The Value B allocated will vary according to the level and significance of the competition:

Competition	Code	Value B
Paralympic Games	PG	10
World Championships	WCH	8
Regional Championships (<i>only valid for Regional Rankings</i>)	RCH	7
Regional Games (<i>only valid for Regional Rankings</i>)	RG	6
World Cup	WC	6
Grand Prix	GP	4

1.13.7 Value C (qualification result points)

1.13.7.1 The Value C allocated is the Qualification Score achieved by the athlete, divided by the World Record in that event (as of 01 January of the competition year).

1.13.7.2 For both World and Regional Rankings, the World Record will be used.

$$\frac{\text{Qualification Score}}{\text{World Record}} = \text{Value C}$$

1.13.8 Calculation

1.13.8.1 Performance points per competition are calculated by multiplying together Values A, B and C.

$$\begin{array}{l} \text{Value A} \\ \text{(Rank points)} \end{array} \times \begin{array}{l} \text{Value B} \\ \text{(Competition} \\ \text{weighting)} \end{array} \times \begin{array}{l} \text{Value C} \\ \text{(Qualification} \\ \text{result points)} \end{array} = \text{Performance Points}$$

1.14 Records

- 1.14.1 World, regional and junior records may be established in World Shooting Para Sport events R1-R9 and P1-P5.
- 1.14.2 Paralympic Games and Regional Games records may be established only at the Paralympic/Regional Games in the relevant events.
- 1.14.3 Only scores obtained at Level 2 or 3 competitions will be eligible for records recognition.
- 1.14.4 *The Technical Delegate must submit the record report form at the end of the competition in order for records to be ratified and recognised.
- 1.14.5 ***Junior records**
- 1.14.5.1 Junior records will be recognised at world record level only.
- 1.14.5.2 To be eligible to obtain junior records, athletes must be under the age of 21 on 31 December of the year of the relevant competition.

1.14.6 *Records definitions

- 1.14.6.1 The obtainable World Shooting Para Sport records can be described as:

Record	Type	Code	Description
World Record	New	WR	a) Paralympic events: record to be established in the final of the relevant event using the finals result only; b) Non-Paralympic events: record to be established in the qualification round of the relevant event using the qualification result only. c) Paralympic events: record to be established in the qualification round of the relevant event using the qualification result only; d) Non-Paralympic events: there will be no qualification record established in non-Paralympic events.
	Equal	EWR	
Junior World Record	New	WRJ	
	Equal	EWRJ	
Regional Record	New	[Region]	
	Equal	E[Region]	
Qualification Record	New	QR	
	Equal	EQR	
Junior Qualification Record	New	QRJ	
	Equal	EQRJ	
Regional Qualification	New	Q[Region]	
	Equal	EQ[Region]	

Record			
Team Record	New	TR	e) Team records will be established in team events using the combined qualification scores of the 3 nominated team members.
	Equal	ETR	
Paralympic Record	New	PR	f) Paralympic records will be established in the Paralympic Games Final of the relevant event using the finals result only.
	Equal	EPR	
Paralympic Qualification Record	New	PQR	g) Paralympic qualification records will be established in the Paralympic Games qualification round of the relevant event using the qualification result only.
	Equal	EPQR	
Regional Games Record	New	GR	h) Games records will be established in the relevant Regional Games final of the relevant event using the finals result only.
	Equal	EGR	
Regional Games Qualification Record	New	GQR	i) Games qualification records will be established in the relevant Regional Games qualification round of the relevant event using the qualification result only.
	Equal	EGQR	

2 Apparel and Equipment

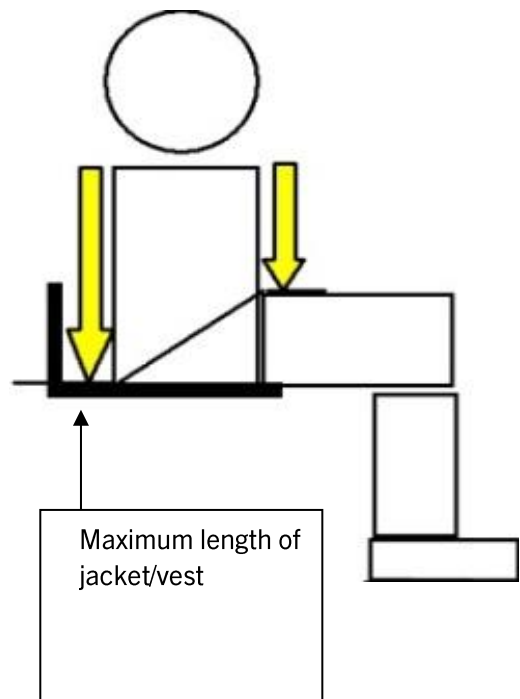
2.1 Compliance with ISSF Dress Code

- 2.1.1 All persons on the field of play and ceremonies area must adhere to the ISSF dress code.
- 2.1.2 Athletes must also comply with the World Shooting Para Sport Specific Dress Code provisions as set out in Rule 2.2 below.

2.2 World Shooting Para Sport Specific Dress Code Provisions (Jackets, Trousers & Footwear)

2.2.1 Shooting Jackets

- 2.2.1.1 The maximum length of the shooting jacket may not be longer than down to the lap in front and down to the top of the cushion in back.
- 2.2.1.2 The length of the jacket will be measured in standing shooting position.
- 2.2.1.3 The athlete must not sit on any part of their shooting jacket during competition.
- 2.2.1.4 *SH1B, SH1C and SH2 rifle athletes must use a World Shooting Para Sport jacket.



2.2.1.5 *SH1A rifle athletes may use a ISSF jacket

In accordance with the ISSF Rules, in the following circumstances:

Position	Style	Regulation
Kneeling	Shooting as per ISSF position	Permitted: Jacket usage as per ISSF Rules
	Shooting from a shooting chair	Permitted: only the top one jacket button may be fastened
Prone	Shooting as per ISSF position	Permitted: Jacket usage as per ISSF Rules
	Shooting from a shooting chair	Permitted: only the top one jacket button may be fastened
Standing	Shooting from a high stool or free-standing	Permitted: Jacket usage as per ISSF Rules
	Shooting from a shooting chair	Not permitted

2.2.1.6 A maximum of 1 World Shooting Para Sport jacket and 1 ISSF jacket per athlete must be approved by equipment control in each competition.

2.2.1.7 *Jackets without buttons

- (a) Even if the jacket has no buttons, the jacket must be shaped in accordance with World Shooting Para Sport Rules 2.2.1.1 and 2.2.1.2.
- (b) In case a jacket as a zipper instead of buttons the overlap will be visually checked by the Jury.

2.2.2 Shooting Trousers

2.2.2.1 Shooting Trousers are prohibited for SH1B, SH1C and all SH2 athletes.

2.2.2.2 *Shooting trousers are permitted for SH1A athletes shooting in the standing position from a high stool or free-standing position or in the kneeling position as per the ISSF position set out in the ISSF Rules.

2.2.2.3 *Athletes with lower limb prosthesis are permitted to keep their shooting trousers on in the kneeling (from a shooting chair) and prone position, only if:

(a) They are unable to remove their trousers without removing their prosthesis; and

(b) The leg zippers and waistband of the trousers are open when in position.

2.2.3 Footwear

2.2.3.1 Footwear must be worn by all persons on the field of play.

2.2.3.2 An athlete may be permitted to wear orthopaedic footwear or other non-ISSF dress code compliant footwear (e.g. sandals) if there is a valid medical reason.

(a) Such exceptions will be assessed and decided by the Classification Panel and recorded on the athlete's Classification and License Cards.

(b) Such footwear will not be tested for flexibility during equipment control.

2.3 Equipment

2.3.1 Athletes must use only equipment that complies with, and is in accordance with these Rules and Regulations and the ISSF Rules. Any equipment that competition officials deem may give an athlete an unfair advantage or is not expressly permitted in these Rules and Regulations is prohibited.

2.3.2 All equipment must be supplied by the athlete.

2.3.3 Athletes and their equipment must be within the designated area of their firing point and behind the firing line.

2.3.3.1 *An exception may be made for rifle resting stands, which will be permitted in accordance with the ISSF Rules.

- 2.3.4 For athletes shooting from a shooting chair (not including a high stool), the centreline of the barrel must not exceed more than 150cm (measured from the floor).
- 2.3.5 SH2 athletes are permitted to add material that gives increased grip for the hands on the rifle, and on the butt plate to increase the grip on the jacket. However:
- 2.3.5.1 *The material must still allow free movement of the athlete and rifle;
- 2.3.5.2 The rifle needs to remain within the specified dimensions; and
- 2.3.5.3 *The adaption must adhere to Rule 2.3.1.

2.4 Equipment Control

- 2.4.1 Team leaders and coaches are equally responsible for ensuring that athletes' equipment and apparel comply with these Rules and Regulations and the ISSF Rules.
- 2.4.2 ISSF equipment will be checked in accordance with the ISSF Rules.
- 2.4.3 **World Shooting Para Sport-specific equipment**
- 2.4.3.1 'World Shooting Para Sport-specific equipment' is defined as:
- Strapping
 - Prosthesis
 - Shooting table(s)
 - Compensating block
 - *10cm block
 - Shooting chair(s)
 - SH2 rifle support stand
 - Loading device (Pistol)
 - Trigger extensions and adaptations
- 2.4.3.2 World Shooting Para Sport-specific equipment checks will be done in accordance with these Rules and Regulations.

- 2.4.3.3 The athlete is responsible for submitting World Shooting Para Sport-specific equipment and apparel for official inspection and approval before the start of every competition. As part of this process:
- The athlete must present both their valid Athlete ID card and license card; and
 - The Equipment Control Sheet (**Appendix 5**) must be completed and signed by all relevant parties.
- 2.4.3.4 Each athlete's World Shooting Para Sport-specific equipment may be checked by competition officials on the line prior to the start of each event.
- 2.4.4 Random equipment checks will be done by the equipment control officials directly after an event.

2.5 Strapping

- 2.5.1 The athletes are not allowed to hold or touch the straps when competing to gain stability.
- 2.5.2 Straps must not exceed 5cm in width.
- 2.5.3 Below knee: it is permitted to have 1 below knee strap to the shooting chair.
- 2.5.4 Above knee: the legs may be strapped together once above the knees but not to the chair.
- 2.5.5 In the case of SH1/SH2A athletes with double above-knee amputation (and not using prosthesis), a strap across the stumps and strapped to the chair is permitted.

2.6 Trigger extensions and adaptations

- 2.6.1 *In accordance with the ISSF Rules, the style/shape of a trigger is a personal choice as long as it stays within the boundary of the given dimensions (as stated in the ISSF Rules regarding 'Depth of fore-end' and 'Maximum thickness (breadth) of the fore-end').
- 2.6.2 *The shape of the trigger is free; however the trigger must remain safe and stay within the permitted dimensions.

- 2.6.2.1 ***Trigger extension:** triggers that have modifications compared to standard triggers, but are inside the dimensions of the ISSF Rules and protected by a trigger guard.
- 2.6.2.2 ***Trigger Adaptions:** triggers that have modifications compared to standard triggers, and are outside of the trigger guard and dimensions of the ISSF Rules.
- (a) Athletes must have a medical reason to use a trigger adaption;
 - (b) This must be reviewed and approved by a World Shooting Para Sport Classification Panel during a Technical Assessment (in consultation with the Technical Delegate, regarding the safe use of the proposed trigger adaptation) and recorded on the athlete’s Classification and License Cards.
- 2.6.3 Trigger adaptions are permitted, if specified on the athlete’s classification card.
- 2.6.4 Trigger adaptions are all triggers or trigger amendments that are outside of the dimensions of the trigger guard (see **Appendix 6**).

2.7 Shooting Chairs

- 2.7.1 “Shooting Chair” is any object on which an athlete sits to shoot. This includes wheelchairs, stools, chairs, seats and high stools.
- 2.7.1.1 High stools are Shooting Chairs when the athlete sits with his/her feet on the ground, with a seat at a height equal to or higher than the athlete’s mid-thigh height. The mid-thigh height is the mid-measurement between the knee joint to the hip joint (measured along the femur bone). Any disputes will be resolved by the Technical Delegate in his/her absolute discretion.
- 2.7.2 All Shooting Chairs will be checked with the athlete in the shooting position during equipment control and will be subject to spot checks on the shooting line before, during or immediately after the competition.
- 2.7.3 *For wheelchairs used as Shooting Chairs, there must be no use of mechanical tools to “lock or unlock” a shooting on their firing point.

2.7.4 *The guidelines for armrests, sideboards and table per discipline are summarised below.

Position	Armrests	Sideboards	Table
Kneeling	Authorised only if the armrests are used to attach the table, however, the arm rests must not provide additional trunk support or stability (see Rule 3.2.1.2).	Not authorised.	Authorised, however the table frame must not provide additional support or stability in any way (see Rule 3.2.1.2).
Prone	Authorised only if the armrests are used to attach the table. The arm(s) of the shooting chair which are not used to attach the table/board must be removed.	Authorised, however they must not provide additional trunk support or stability.	Authorised (however with restrictions as stipulated in Rule 3.2.2.1).
Standing	Not authorised.	Not authorised.	Not authorised.

2.7.5 Handles and side posts may not exceed the height of the backrest.

2.7.6 *The height of the wheels of the wheelchair may not exceed the height of the athlete's hip when in the sitting position.

2.7.7 *It is not permitted to add any material or modify the structure of the Shooting Chair to gain stability of the pelvis or the spine and thus gain an unfair advantage.

2.7.7.1 Under special circumstances the Classification Panel may allow a special backrest to overcome a specific physiological condition of the spine (special circumstances must be written on the athlete license card).

2.7.8 Athletes must not lean on the side posts or wheels of their Shooting Chairs to gain stability of the pelvis or the spine and thus gain unfair advantage.

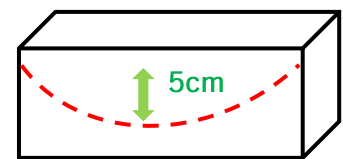
2.7.8.1 *The sides of the torso may touch the side posts; however it is not permitted for athletes to use the side posts to gain additional stability of the spine.

(a) The spine must not be in contact with the post when the athlete is in the shooting position.

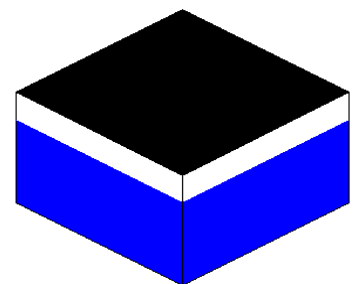
2.7.9 *Seating pad/cushion:

2.7.9.1 All cushions thinner than 5cm are permitted.

2.7.9.2 Cushions thicker than 5cm are permitted only if they are compressible to a maximum depth of 5cm when the athlete is sitting in the shooting position.



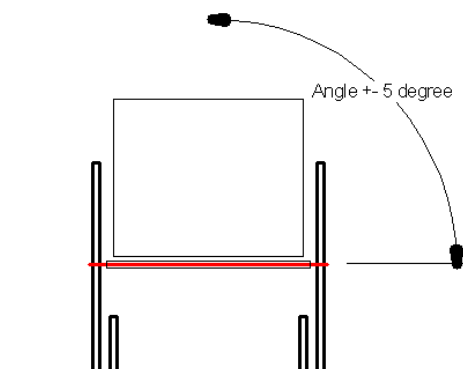
2.7.9.3 Stacked cushions (consisting of a non-compressible booster/block – used to adjust the level the sitting height, with a compressible cushion on top) are permitted. However, as stated above, the compressible cushion part must be compressible only to maximum depth of 5cm when the athlete is sitting in the shooting position.



2.7.9.4 Testing of the compression of the cushion is completed at equipment control, and may also be checked on the line.

2.7.10 **Sitting angle and backrest angle**

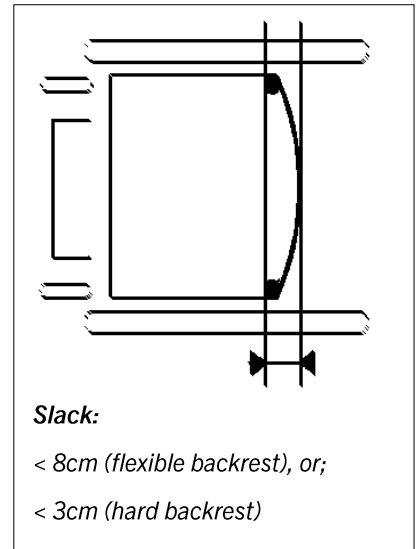
2.7.10.1 The sitting angle and backrest angle is free; however the axis of the wheelchair from side-to side must be horizontal (± 5 degrees).



2.7.11 Backrest slack

2.7.11.1 The backrest may be made of hard or flexible material:

- (a) **Backrests made from flexible material:** the maximum slack (stretch) of the backrest (the distance from the front of the vertical side posts of the backrest to the deepest part of the backrest) shall not exceed 8cm;
- (b) ***Backrests made from hard material:** the backrest may be flat or with a curved surfaced; however the maximum slack (depth of the curve) of the backrest (the distance from the front of the vertical sides of the backrest to the deepest part of the backrest) shall not exceed 3cm. If the backrest is upholstered with compressible material, the maximum depth of the curve must still not exceed the permitted depth of 3cm when the material is compressed.



2.7.11.2 Backrest slack is to be measured with the athlete in the Shooting Chair in the shooting position.

2.7.12 Visible Free Height

2.7.12.1 Score A

- A back-support of any height may be fitted to the Shooting Chair in such a way that competitors may take a rest against it between shots;
- There must be clearly no contact between athlete and back-support when firing.

2.7.12.2 Score B

- A minimum of 60% of the total back length of the athlete needs to be above the backrest;
- The measurement will be taken the middle of vertebra C7 - vertebra prominence
- The measurement will be recorded on the athlete's Classification and Licence Cards as the minimum 'Visible Free Height'.

2.7.12.3 Score C

- The measurement will be taken the middle of vertebra C7 - vertebra prominence.
- The measurement will be recorded on the Athlete's Classification and License Cards as the minimum 'Visible Free Height'.

2.7.12.4 *No part of the backrest may be higher than the minimum Visible Free Height as specified in the athlete's license card.

2.7.12.5 Technical officials shall:

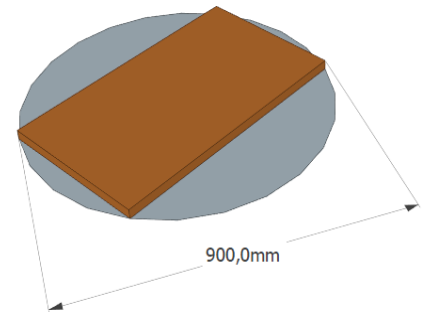
- (a) Measure the Visible Free Height of each athlete and ensure that it is not shorter than the minimum Visible Free Height indicated on the athlete's Classification and Licence Cards;
- (b) Place a piece of tape on the back of the athletes' shooting jacket to indicate the Visible Free Height (the Visible Free Height will be indicated by the bottom edge of the tape). The tape must be visible at all times.

2.8 Shooting Tables

2.8.1 Rifle events

2.8.1.1 **Size** - all components of the shooting table (regardless of shape or form) must:

- (a) Be of a size no larger than 90cm in diameter;
- (b) *Remain within the firing point dimensions.

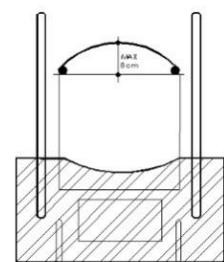


2.8.1.2 *Shape

- (a) Shooting tables may have a small upstanding edge fitted to prevent small items from falling (but in no way may be used for additional stability or support of the athlete);
- (b) The shape of the shooting table is free;
- (c) If the shape of the table is curved (as in 'U-Form'), the shape of the curve must be wider than the athlete's torso, so that the left and right side of the athlete's abdomen cannot touch the table at the same time when in the prone position.

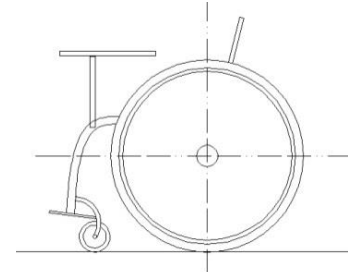
2.8.1.3 **Form** - shooting tables may:

- (a) Either be attached to the Shooting Chair or free standing;
- (b) May consist of a single table, or a multiple small individual tables;
- (c) If two or more small individual tables are used:
 - i. They must be joined or placed together in such a way as to provide one stable platform; and
 - ii. *The combined surface of the tables must meet all requirements as specified for shooting tables (size, angle, shape).



2.8.1.4 **Angle**

2.8.1.5 The shooting table must be horizontal or at the same angle as the floor (measured at the centre of the table).



(a) A variation of ± 5 degrees is allowed.

(b) *Athletes with uneven upper limbs may be permitted to use a compensating block under the shorter limb when shooting in the prone position. This shall be assessed by the Classification Panel and marked on the athlete's Classification and License Cards if permitted.

2.8.1.6 **Support** - the shooting table must not be used to gain support or stability for the body in any way, except for in the prone position.

(a) In the prone position, the table can provide support (but athletes are not allowed to gain stability on the left or right side of the chair with the abdomen).

2.8.1.7 **Upholstering** - The table or board may be upholstered with compressible material of a maximum thickness of 2cm.

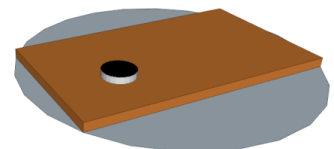
(a) The material on the table must be of uniform thickness for both elbows; and

(b) It is not permitted to make a hollow in the table or board or in the upholstered material.

2.8.1.8 **Elbow support table in the kneeling position** - the maximum surface for support of the elbow in the kneeling position is 10cm in diameter. This support can be from:

(a) A small shooting table (10cm surface diameter); or

(b) An additional mounted support (hereafter '10cm block') added to the larger shooting table: a removable board with a diameter of 10cm and a thickness of at least 20mm.



2.8.1.9 **Shooting stand support** – An additional separate board or table may be allowed for the shooting stand.

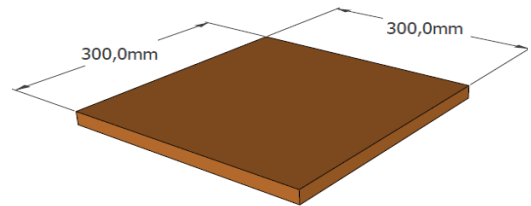
2.8.2 Pistol events

2.8.2.1 In the event that the range bench is fixed to the ground so the athlete cannot get close enough to rest and load the pistol, or the bench is designed in such a way that means the athletes' shooting position is compromised and cannot safely operate the loading procedure, the use of an additional small table may be permitted:

- (a) *The additional table must be presented at equipment control;
- (b) *The Equipment Control Jury will make an assessment on a case by case basis and will confirm if the use of an additional small table will be permitted;
- (c) *The use of the table will check on the line by the Jury to confirm that the table is used in a safe manner by the athlete.

2.8.2.2 The additional table (if permitted) must be within the following specifications:

- (a) Maximum size of 30cm x 30cm;
- (b) Maximum height of 100cm;
- (c) The table must in no way provide additional support to the athlete in the shooting position.



2.9 SH2 Support stands

- 2.9.1 All SH2 athletes will use an approved support stand (see **Appendix 7**) to support the weight of the rifle.
- 2.9.2 The Classification Panel will assess muscle power in the shooting arm (arm used to shoulder the rifle) for athletes in Sport Class SH2 for the purpose of identifying if the athlete may use a weak or a strong spring on the rifle support.
- 2.9.3 Depending on the athlete's assessment score, they will be allocated a subclass; 'a' or 'b'.
- 2.9.4 This subclass will be recorded on the athlete's Classification and License Cards and determines which spring the athlete shall use in their support stand:

Subclass	Spring Characteristics
a	WEAK SPRING (white plastic part) = flexibility minimum 35mm
b	STRONG SPRING (black plastic part) = flexibility minimum 25mm

- 2.9.5 The shooting stand may be fixed to the table or on a tripod.
- 2.9.6 No other support or mechanical devices may be used as a support for the rifle.
- 2.9.7 No device or substance may be attached to the rifle or the shooting stand in order to hold the rifle in a fixed position in, or against the shooting stand.
- 2.9.8 The athlete's hands must not be placed in front of the spring or interfere with the operation of the spring when firing a shot.
- 2.9.9 The pin and the spring of the shooting stand must be in vertical position, front to back.
- 2.9.10 *It is allowed to shorten the bottom part of the support stand. The remaining length needs to be at least 20mm, so that it will be possible to check the flexibility of the support stand during equipment control.
- 2.9.11 **Yoke (rifle holder)**
- 2.9.11.1 The rifle may not contact both sides of the yoke at the same time.
- 2.9.11.2 The yoke must be at least 1cm wider than the width of the rifle stock.
- 2.9.11.3 It is allowed to add material inside the yoke as long as it is comparable to the surface of a shooting glove and doesn't interfere with the yoke measurements.
- 2.9.12 **Point of balance**
- 2.9.12.1 The point of balance of the rifle must be marked at equipment check. The rifle must be placed ± 5 cm of its point of balance on the rifle support stand and the total 10cm range must be marked. The complete yoke must be within the 10cm range.
- 2.9.12.2 The point of balance on gas or compressed air rifles will be measured with full containers.
- 2.9.12.3 The total weight of the upper part of the support stand must be less than 200 grams. The spring must be an official World Shooting Para Sport approved model (see **Appendix 7**).
- 2.9.13 **Test bar for spring flexibility (Appendix 7)**
- 2.9.13.1 Weight and tolerances for testing the flexibility of the springs are:
- Bar 1) 250 Grams +2 - 0 (used for zeroing)
 - Bar 2) 720 Grams +0 - 2 (used to test the flexibility)

- 2.9.13.2 *All springs must be checked at equipment control prior to competition.
- (a) If a spring fails at the first testing, a further 3 subsequent tests must be conducted for up to 3 subsequent tests;
 - (b) Each subsequent test must be conducted with the spring in a different position (3 rotations by 90 degrees clock-wise from the marked open turn).
- 2.9.13.3 *All springs must have the open turn and must be marked in the position at which the spring passes the test, and the spring must be used in this same position during the competition.
- 2.9.14 The exact dimensions and specifications of the support stand parts are available on the World Shooting Para Sport website.

3 Rifle rules

3.1 Events and times

3.1.1 All rifle event times are in accordance with these Rules and Regulations and the ISSF Rules.

3.1.2 Recognised Competitions may comprise the following rifle events:

Event	Discipline	Gender	Class	Shots	Time Electronic Targets	Time Target carriers & pit-operated competitions
R1	10m Air rifle standing	Men	SH1	60	1:15	1:30
R2	10m Air rifle standing	Women	SH1	40	0:50	1:00
R3	10m Air rifle prone	Mixed	SH1	60	0:50	1:00
R4	10m Air rifle standing	Mixed	SH2	60	1:15	1:30
R5	10m Air rifle prone	Mixed	SH2	60	1:00	1:10
R6	50m Rifle prone	Mixed	SH1	60	0:50	1:00
R7	50m Rifle 3 positions	Men	SH1	40 kneeling 40 prone 40 standing	2:45	3:15
R8	50m Rifle 3 positions	Women	SH1	20 kneeling 20 prone 20 standing	1:45	2:00
R9	50m Rifle prone	Mixed	SH2	60	1:00	1:10

- 3.1.3 It is recommended that in events R3, R4 & R5, at least every third firing point is left vacant to avoid the disturbance of other athletes. The final decision on this matter will be made by the Technical Delegate.
- 3.1.4 In the R7 and R8 events, one coach/team member is permitted to assist the athlete in the changeover time between positions; however athletes must lead and also actively participate in the changeover process.
- 3.1.5 No unused equipment or additional chairs may be left on the field of play.
- 3.1.6 Athletes may not use chairs to rest their equipment on.
- 3.1.7 ***Finals**
- 3.1.7.1 The ISSF Rules regarding timings of events will be followed in all finals, with the exception of SH2 events.
- (a) In SH2 events, the preparation time following the presentation of athletes is extended to three minutes.
- 3.1.7.2 During the presentation phase:
- (a) SH1 athletes must rest the rifle on the resting stand or in the oblique position;
- (b) SH2 athletes must rest their rifles on the table/bench (with the assistance of the Loader);
- (c) All athletes must turn their faces to the audience as much as possible and make a gesture to acknowledge the audience when their name is called; and
- (d) Loaders must stand next to their athletes on the firing point with their face turned to the audience.
- 3.1.7.3 After athletes have been presented to the audience, they are not permitted to resume their shooting position until the Chief Range Officer commands 'Athlete, take your position.'
- 3.1.7.4 During the final, Loaders must move to the back of firing point (1m behind the athlete) between shots.
- 3.1.7.5 Athletes (and Loaders) must ensure they do not touch the rifle with a pellet/bullet before the command "LOAD" is given.

3.1.7.6 The loading process must be completed within 5 seconds from the command “LOAD” being given.

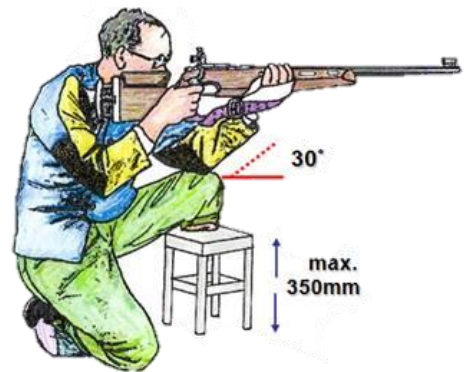
(a) In R4 and R5, athletes/Loaders must complete the loading process within 10 seconds from the command “LOAD” being given.

3.1.7.7 If eliminated from the final, all athletes (including SH2) must immediately leave their firing point and move to the side of field of play to their allocated place next to their coach. Coaches/Loaders may assist athletes in this process.

3.2 Shooting positions

3.2.1 Kneeling

3.2.1.1 SH1A athletes with lower limb deficiency are able to compete in the ISSF kneeling position using prosthesis or a stool of 35cm maximum height (if marked on the athlete’s Classification Card) to support the rifle-supporting leg.



3.2.1.2 If a Shooting Chair and table is used:

- (a) The competitor must comply with Rules 2.7 and 2.8;
- (b) Only one elbow must rest on the table or board and the body must be well clear of the board;
- (c) The supporting forearm must form an angle of not less than 30 degrees from the horizontal. Only the point of the elbow may be supported on the 10cm block;
- (d) No support may be gained from the board/table frame/arm rests;
- (e) The arm(s) of the Shooting Chair (which are not used to attach the table/board to) must be removed.

3.2.2 Prone

3.2.2.1 The athlete's chest and/or abdomen may rest on the board or table (provided that the athlete is not also in supporting contact with the backrest).

3.2.2.2 Should an athlete have uneven upper limb lengths, it is permitted to use a compensating block (under the shorter limb). This shall be assessed by the Classification Panel and marked on the athlete's Classification and License Cards if permitted.

3.2.2.3 **50m Rifle Prone:** athletes may choose to compete either in the position as described in the ISSF Rules, or with the use of a Shooting Chair and table.

3.2.2.4 **10m Air Rifle prone:** competitors may not lie down, but must use a Shooting Chair and table.

3.2.2.5 SH1

- (a) Both elbows must rest on the table or board;
- (b) The upper arms must not touch the table or board (it is recommended that the part of the table below the upper arm is removed);
- (c) The forearm must not form an angle of less than 30 degrees from the horizontal, measured from the axis of the forearm;
- (d) In the case of upper limb deficiency athletes: it is permitted to hold the rifle with a normal prosthesis, as long as the prosthesis does not grip the rifle and does not have a fixed elbow.

3.2.2.6 SH2

- (a) Use of a sling is prohibited;
- (b) Both elbows (if the athlete's impairment allows) must rest on the table or board;
- (c) *If the athlete's impairment does not allow for both elbows to be rested on the table, the athlete may rest their non-shooting arm on the table, on top of the rifle, or on their body, provided that the arm is visibly relaxed and not used in such a way as to gain additional support and an unfair advantage;
- (d) The upper arms must not touch the table or board (it is recommended that the part of the table below the upper arm is removed).

3.2.3 Standing

3.2.3.1 Athletes with a trunk function score A may choose to compete free-standing (if so, they must stand free of any artificial support, with the exception of medically certified normal prosthesis/orthosis).

3.2.3.2 The arms and sideboards of the Shooting Chair and the shooting table must be removed (if the construction of the wheelchair requires a sideboard, the height of this may not exceed the height of the top of the wheel).

3.2.3.3 When shooting from a high stool, the athlete must be able to remove his/her feet off the floor, without losing balance and without moving the upper body.

3.2.3.4 SH1

- (a) The rifle must be held with the arms only, without support (as per the ISSF Rules);
- (b) No part of the arms may come in contact with any part of the shooting chair;
- (c) Not any part of the elbows is to make contact with the lap, wheel or gain support other than from the ribcage, hip or abdomen.

3.2.3.5 SH2

- (a) In the case of arm-amputee athletes it is not permitted to hold (touch) the rifle with the prosthesis in standing position;
- (b) Athletes must clearly and visibly de-shoulder (removal of physical contact between butt plate and shoulder) the rifle in between shots.



3.3 Loaders (SH2 only)

- 3.3.1 Loading Assistants apply only to SH2 athletes competing in SH2 events, and are permitted only as described in the World Shooting Para Sport Classification Rules and Regulations.
 - 3.3.1.1 A Classification Panel makes the decision as to whether an athlete is permitted to have a Loading Assistant and the outcome will be marked on the athlete's Classification and License Cards.
- 3.3.2 The Loaders must:
 - 3.3.2.1 Not speak or give signals during the match;
 - 3.3.2.2 Only load the rifle and/or adjust the sights at the request of the athlete, not support the rifle.
- 3.3.3 *In the SH2 events, every third (3rd) firing point will be left free. This free Firing Point will be used as space for the Athlete Loaders.
 - 3.3.3.1 *Depending on the Firing Point allocated, Loaders must stand to the left or right of their athlete as specified by the allocated firing point;
 - 3.3.3.2 *The Loading Assistant position (left/right of the athlete) is fixed according to the firing point and cannot be changed to the other side of the athlete.
- 3.3.4 *Loaders must stay in position for the duration of the competition, and should not move to the back of the firing point between shots.
- 3.3.5 *If the Loader is also the athlete's coach, they must first ask permission of the range officer before speaking to each other.

4 Pistol rules

4.1 Events and times

4.1.1 All pistol event times are in accordance with these Rules and Regulations and the ISSF Rules.

4.1.2 Recognised Competitions may comprise the following pistol events:

Event	Discipline	Gender	Class	Shots	Time Electronic Targets	Time Target carriers & pit-operated competitions
P1	10m Air Pistol	Men	SH1	60	1:15	1:30
P2	10m Air Pistol	Women	SH1	40	0:50	1:00
P3	25m Pistol	Mixed	SH1	60	-	-
P4	50m Pistol	Mixed	SH1	60	1:30	1:45
P5	10m Air Pistol Standard	Mixed	SH1	40-	-	-

4.1.3 P3 event is to be shot according to the ISSF 25m Pistol Rules.

4.1.4 P5 (10m Air Pistol Standard) event is to be shot in accordance to the rules as outlined in **Appendix 8**.

4.1.5 *No equipment or additional chairs may be left on the field of play.

4.1.6 *Athletes may not use chairs to rest their equipment on.

4.1.7 ***Finals**

- 4.1.7.1 The ISSF Rules regarding timings will be followed in all finals.
- 4.1.7.2 During the presentation phase athletes, if able to do so, must fully turn their body to face the audience (as per the ISSF Rules).
- 4.1.7.3 After athletes have been presented to the audience, they are not permitted to resume their shooting position until the CRO commands 'Athlete, take your position'.
- 4.1.7.4 Athletes must ensure they do not touch the pistol with a pellet/bullet before the command "LOAD" is given.
- 4.1.7.5 The loading process must be completed within 5 seconds from the command "LOAD" being given.
- 4.1.7.6 If eliminated from the final, all athletes must immediately leave their firing point and move to the side of field of play to their allocated place next to their coach. Coaches may assist athletes in this process.

4.2 **Shooting position**

- 4.2.1 SH1A athletes may choose to compete free-standing. If so, they must stand free of any artificial support, with the exception of medically certified normal prosthesis/orthosis.
- 4.2.2 The arms and sideboards of the Shooting Chair and the shooting table must be removed.
- 4.2.3 The non-shooting arm/hand must not be on the shooting chair or in a position to give the athlete an unfair advantage (in accordance with the ISSF Rules).

4.3 **Loading device (safety)**

- 4.3.1 Loading safety must follow the ISSF Rules, with the exception of Rule 4.3.2 below.
- 4.3.2 A loading device, to hold the pistol to enable it to be loaded or unloaded safely, must be used at all times if it is specified on the athlete's Classification and License Cards following Classification of the athlete by the Classification Panel.
 - 4.3.2.1 The loading device will be checked at equipment control by a W Judge to ensure safe handling.

5 Falling Target events

5.1 Competition Format

5.1.1 The following are recognised as Falling Target events:

Event	Discipline	Class	Gender
FTR1	Falling Targets Rifle	SH1	Mixed
FTR2	Falling Targets Rifle	SH2	Mixed
FTP	Falling Targets Pistol	SH1	Mixed

5.1.2 All events are shot at a distance of 10m in the standing position, with a standard air rifle/pistol.

5.1.3 The targets are biathlon-type systems with five targets. The size of the target inserts are as follows (from left to right):

5.1.3.1 FTR1 & FTR2: 6mm – 6mm – 5mm – 5 mm – 4 mm

5.1.3.2 FTP: 24 mm – 24 mm – 16 mm – 16 mm – 11 mm

5.1.4 Each competition is run as a pool group competition with a series of progressive rounds:

5.1.4.1 Each pool group consists of a maximum of four athletes that compete against each other simultaneously;

5.1.4.2 In each round, the pool group competes over two series of five shots (with a time limit of 2 minutes 30 seconds per series)

(a) After each series of five shots the fallen targets of each athlete in the pool group must be counted, announced and recorded;

(b) If an athlete fails to shoot within the allowed time limit, the shot(s) is counted as zero.

5.1.4.3 The two athletes with the highest scores per pool group will progress to the next round of competition.

5.1.4.4 In case of a tie: a shoot-off (on the extreme right target) will determine the winner:

(a) FTR events:

- After three unsuccessful attempts on the extreme right target without decision, attempt the next larger size target (from right to left) and so on;
- After three successful attempts on the extreme right target without decision, times for the shoot-off change from 30 seconds to 20 seconds.

(b) FTP events:

- After three attempts on the extreme left target without decision, the shoot off time changes from 30 seconds to 20 seconds.

5.1.4.5 The competition will continue to progress until only one pool group of four athletes remain. These four athletes will compete in a final round to decide the competition medallists;

5.1.4.6 For examples of competition progression see **Appendix 9**.

5.1.5 *To ensure randomness, a draw for firing points per group will be held before each round.

5.1.6 *No coaching or use of scopes is permitted during the events.

5.2 Commands

5.2.1 Preparation Time

5.2.1.1 For the first round of competition: athletes have 5 minutes for preparation and sighting shots.

5.2.1.2 For the later rounds of competition (excluding the final): athletes have 3 minutes preparation time at the beginning of each round.

5.2.1.3 For the final round: athletes have 5 minutes for preparation and sighting shots.

5.2.2 Competition commands

5.2.2.1 The commands for the competition are as follows:

Command	Explanation
Preparation Time start now	Start 5 or 3 minutes
30 seconds	After 4:30min or 2:30min
STOP	End of preparation time
Change Targets and take out 5 pellets	
For the first/next competition series LOAD	
ATTENTION, START	Start 1st round
STOP	After 2:30min
Results announcement	
Change Targets and take out 5 pellets	
ATTENTION, START	Start 2nd round
STOP	After 2:30min
Results announcement	

6 Team events

6.1 Events and format

- 6.1.1 There will be team events in each event (except Falling Targets) as numbers permit, except for at the Paralympic Games.
- 6.1.2 Team scores will be calculated by adding the individual event scores of the athletes within a team together (i.e. no separate team matches will be shot).

6.2 Team size

- 6.2.1 All teams must consist of three competitors.

6.3 Maximum number of teams per NPC

- 6.3.1 Level 1 competitions: maximum two teams per NPC
- 6.3.2 Level 2 and 3 competitions: only one team per NPC

6.4 Event viability

- 6.4.1 Minimum three teams must be on the start list of that event (after the final entries deadline); otherwise the event is automatically cancelled.
- 6.4.2 If only three teams participate in the event, medals will be awarded according to the 'minus-one' rule (e.g. only gold and silver would be awarded).

7 Medical considerations

7.1 Return to Field of Play Decisions

- 7.1.1 The overriding priority at all times should be to safeguard the health and safety of athletes. The outcome of the competition should never influence such decisions.
- 7.1.2 It is the responsibility of the team management to determine whether a sick or injured athlete may continue in or return to the competition.

7.2 Epilepsy

- 7.2.1 It is the duty of all athletes and their NPCs to declare if the athlete has ever suffered any form of epileptic fit/seizure or epilepsy-related episode.
- 7.2.2 All athletes must complete the Athlete Epilepsy Declaration Form (**Appendix 10**) which must be uploaded to the athlete's SDMS profile by 01 February each year.
- 7.2.3 The Athlete Epilepsy Declaration Form confirms if the athlete has epilepsy, and if so, that the epilepsy is stable, and identifies what type of epilepsy the athlete suffers from.
- 7.2.4 If an athlete declares that he/she has been medically diagnosed with epilepsy and have had an epileptic episode in the 12 month period, the athlete's participation in World Shooting Para Sport events shall be subject to approval by the IPC Medical Committee.
- 7.2.5 If at any time an athlete suffers any form of epileptic fit/seizure or epilepsy-related episode, an updated Athlete Epilepsy Declaration must immediately be submitted to World Shooting Para Sport.

7.3 Pacemakers

- 7.3.1 The use of pacemakers by athletes in World Shooting Para Sport is subject to approval by the IPC Medical Committee.
- 7.3.2 Any athlete that uses a pacemaker therefore is required to submit a medical file to the IPC Medical Committee (medical@paralympic.org), detailing the pathology and technical details of the device implemented.
- 7.3.3 The IPC Medical Committee shall determine whether the device is approved and this decision is final. The athlete will only be entitled to use this approved device, and any change must be notified to World Shooting Para Sport immediately.
- 7.3.4 Failure to notify World Shooting Para Sport of the use of a pacemaker results in automatic disqualification of the athlete and any results obtained in competition where a pacemaker was used.



International Paralympic Committee

Adenauerallee 212-214
53113 Bonn, Germany

Tel. +49 228 2097-200
Fax +49 228 2097-209

info@paralympic.org

www.WorldShootingParaSport.org

© 2017 International Paralympic Committee – ALL RIGHTS RESERVED
Photo ©: Getty Images, Ralf Kuckuck